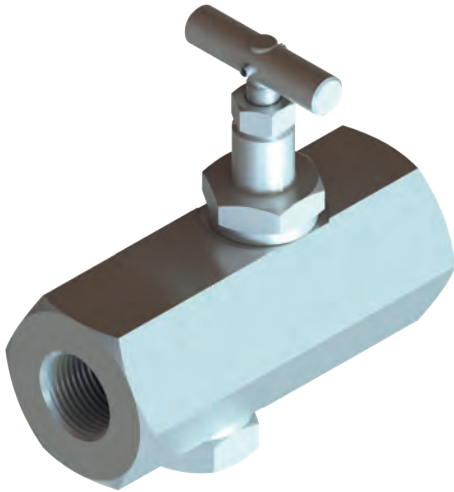
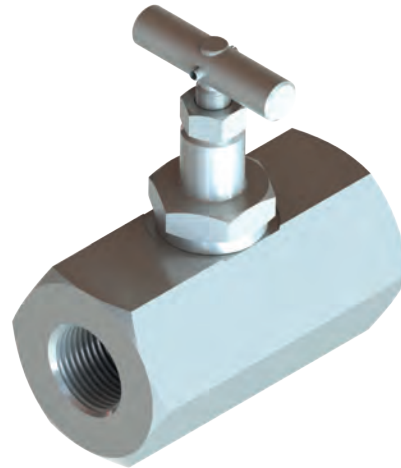




Inline BSP Flow Control Valves



With Bypass Check



Without Bypass Check

- Maximum working pressure 350 bar
- Temperature range -30 °C to 120 °C
- Zinc plated steel body
- Stainless Steel options available
- Available with or without bypass check

HSP2817-2 1/4" BSP
HSP2817-3 3/8" BSP
HSP2817-4 1/2" BSP
HSP2817-6 3/4" BSP
HSP2817-8 1" BSP

HSP2811-2 1/4" BSP
HSP2811-3 3/8" BSP
HSP2811-4 1/2" BSP
HSP2811-6 3/4" BSP
HSP2811-8 1" BSP